

# **Wireless Reed Switch Open / Close Detection Sensor**

---

Wireless Sensor Network Based on LoRa Technology



## **R718F**

# **Data Sheet**

**Copyright©Netvox Technology Co., Ltd.**

This document contains proprietary technical information which is the property of NETVOX Technology. It shall be maintained in strict confidence and shall not be disclosed to other parties, in whole or in part, without written permission of NETVOX Technology. The specifications are subject to change without prior notice.

---

## Wireless Reed Switch Open / Close Detection Sensor

---

### Introduction

The device is equipped with a reed sensor, which can be used to detect the status of the door and window. Through the built-in wireless module, it can achieve wireless alarm and other functions. It uses the SX1276 wireless communication module.

### Main Characteristic

- Adopt SX1276 wireless communication module
- 2\*3.6V ER14505 lithium batteries in parallel power supply (3.6V / section)
- IP Rating: Main part- IP65 / IP67 (Optional), sensor- IP67
- The base is attached with a magnet that can be attached to a ferromagnetic material object
- Simple operation and setting
- Compatible with LoRaWAN™ Class A
- Frequency hopping spread spectrum (FHSS)
- Configuration parameters can be configured through third-party software platforms, data can be read and alarms can be set via SMS text and email (optional)
- Applicable to the third-party platforms: Actility/ThingPark, TTN, MyDevices/Cayenne
- Low power consumption and long battery life

Note:

Battery life is determined by the sensor reporting frequency and other variables, please refer to [http://www.netvox.com.tw/electric/electric\\_calc.html](http://www.netvox.com.tw/electric/electric_calc.html)

On this website, users can find battery life of various models in different configurations.

### Application

- Doors and windows
- Production line tracking
- Objects to be detected open/ close status

**Wireless Reed Switch Open / Close Detection Sensor**

**Dimension**

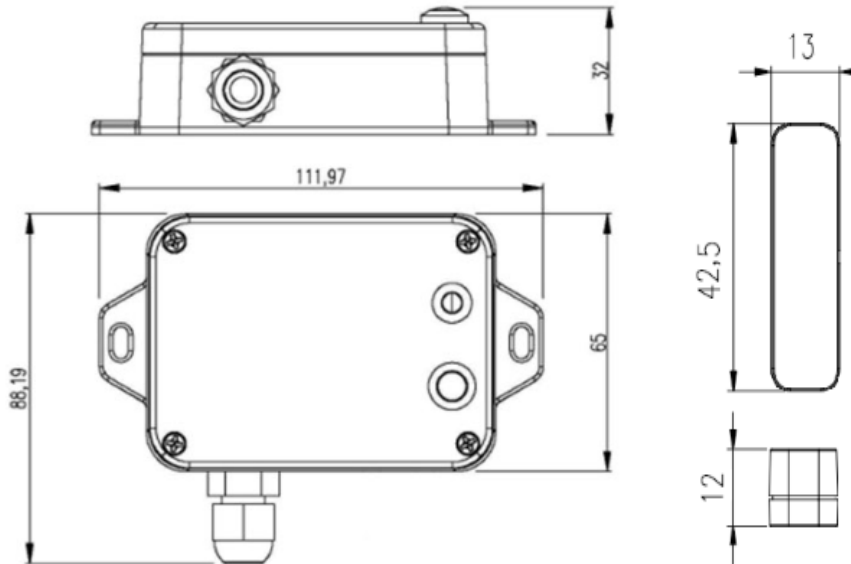


Figure 2 Dimensions of main engine shell

**Electric**

Input Power	2 x 3.6V ER14505 AA size lithium batteries
Standby Current	20uA
Wakeup Current	6.3mA/ 3.3V
Transmitting Current (max)	120mA/ 3.3V
Receiving Current (max)	11mA / 3.3V
Battery Measurement Accuracy	± 0.1V
Low Voltage Threshold	3.2V

**Reed Switch Sensor**

Sensor Case Size	L:43mm*W:13mm*H:12mm
Sensor Characteristic	Inside the magnetic range, it is at on state (conducting). When out of the magnetic range, it is at off state (non-conducting). Sensing distance inside magnetic range is 2cm.
External Cable Length	1 meter

---

**Wireless Reed Switch Open / Close Detection Sensor**


---

**Frequency**

Frequency Range	863MHz-928MHz 470MHz-510MHz
TX Power	US915 20dbm; AS923 16dbm; AU915 20dbm; CN470 19.15dbm; EU868 16dbm; KR920 14dbm; IN865 20dbm;
Receiving Sensitivity	-136 dBm (LoRa, Spreading Factor=12, Bit Rate = 293bps) -121 dBm (FSK, Frequency deviation=5kHz, Bit Rate=1.2kbps)
Antenna Type	Build-in antenna
Communication Distance	10 km (Visible linear obstacle-free transmission distance, actual transmission distance depending on the environment.)
Data Transfer Rate	0.3kbps ~ 50kbps (LoRa) 1.2kbps ~ 300kbps (FSK)
Modulation	LoRa / FSK (Note: choose one of them)
Supportable LoRaWAN Frequency	EU863-870, US902-928, AU915-928, KR920-923, AS923-1, AS923-2, AS923-3, IN865-867, CN470-510 (Note: The frequency band is optional and needs to be configured before shipment.)

**Physical**

Dimension	L: 112 mm x W: 65 mm x H: 32 mm
Weight	141g
Environment Humidity Range	<90 %RH (No condensation)
Operating Temperature	-20°C to 55 °C
Storage Temperature	-40°C to 85 °C