

# Ultra Series

Industrial Router

UR75

*Milesight*



Milesight UR75 is an high-performance industrial-grade 5G router designed for a variety of M2M/IoT applications. Made for high-performance, industrial standard, it has quad-core CPU and cellular module that supports global WCDMA, 4G LTE and 5G sub-6 Ghz NSA and SA network.

Meanwhile, UR75 also supports 5-port Gigabit Ethernet switch, RS232/RS485 serial ports and Digital input/Digital output, which enable users to scale up M2M application combining data collection and high-speed transmission in limited time and budget.

UR75 is particularly suitable for smart grid, digital media installations, industrial automation, telemetry equipment, medical device, digital factory, finance, payment device, environment protection, water conservancy and so on.

## ◆ Ultra Fast Connectivity

- Industrial-grade quad-core CPU ARM Cortex-A55 with big memory, providing high performance for data transmission
- Global 5G (NSA/SA)/4G LTE network with dual SIM cards for backup between multiple carrier networks
- Dual carrier aggregation (2CC CA) is supported in the 5G Sub-6GHz, enabling wider signal coverage with superb download speed up to 4.67 Gbps
- Plug& play, supply lightning transmission via Gigabit Ethernet ports or USB Type-C interface
- Support Wi-Fi 6, allows 2.4G & 5G dual band concurrent connections up to 1.8 Gbps download speed

## ◆ Industrial-Grade Design

- Wide operating temperature range from -40°C to 70°C and industrial design for harsh environment
- Rugged enclosure with IP30 protection, optimized for DIN rail or shelf mounting.
- Equipped with I/O, serial port, GPS for industrial transmission applications
- 3-year warranty included

## ◆ Security & Reliability

- Automated failover/failback backup among Ethernet, Cellular (dual SIM) and Wi-Fi
- Secure transmission with VPN tunnels like IPsec/OpenVPN
- Embedded with hardware watchdog to automatically recover from various failures, ensures the highest level of availability
- Equipped with multiple security protection measures such as ACL, DMZ, SYN-Flood protection, and data filtering to ensure that the network is secured
- Support policy routing and NAT for more secure intranet access

## ◆ Ease of Maintenance

- DeviceHub provides easy setup, mass configuration, and centralized management of remote devices.
- The user-friendly web interface design and more than one option for upgrading. helps the administrator to manage the device easily
- Support multilevel user authorities for security management
- Fast and user-friendly programming by Node-RED development tool

## ◆ Specifications

<b>Hardware System</b>	
CPU	Quad-core ARM Cortex-A55, 2 GHz
Memory	1 GB LDDR4x RAM and 1 GB NAND Flash
Extendable Storage	1 × M.2 NVMe SSD Interface
<b>Cellular Interface</b>	
Network	5G NR SA & NSA/4G LTE/WCDMA
Frequency	5G Sub-6: N1/N3/N5/N7/N8/N20/N28/N38/N40/N41/N77/N78 LTE FDD: B1/B3/B5/B7/B8/B20/B28/B32 LTE TDD: B38/B40/B41/B42/B43 WCDMA: B1/B5/B8
Antenna	4 × 50 Ω SMA Connectors (Center PIN: SMA Female)
SIM Slot	2 (Mini SIM-2FF)
<b>Ethernet Interface</b>	
Numbers	5 × 10/100/1000 Mbps
Property	1 × WAN +4 × LAN
Mode	Full or Half Duplex (Auto-Sensing)
PoE	4 × 802.3 af/at PoE PSE on LAN Ports (Optional)
<b>Wi-Fi Interface</b>	
Antenna	4 × 50 Ω SMA Connectors (Center PIN: RP-SMA Female)
Standards	IEEE 802.11b/g/n/ax 2 x 2 MIMO, 2.4 GHz IEEE 802.11a/n/ac/ax 2 x 2 MIMO, 5 GHz
Max Bit Rate	2.4 GHz: 600 Mbps, 5 GHz: 1200 Mbps
Modes	AP or Client Mode
Security	WEP/WPA/WPA2/WPA3 authentication, WEP/TKIP/AES encryption
<b>GNSS</b>	
Antenna	1 × 50 Ω SMA Connector (Center PIN: SMA Female)
Technology	GPS/GLONASS/Beidou/Galileo/QZSS
Protocol	NMEA 0183
<b>Serial Interface</b>	
Numbers	1 × RS232 + 1 × RS485
Connector	3.5 mm Terminal Block
Baud Rate	300bps to 230400bps
<b>DI/DO</b>	

Numbers	1 × DI (Dry Contact) + 1 × DO (Wet Contact), Galvanic Isolation
Connector	3.5 mm Terminal Block
Maximum V/A	0.3A@30VDC (DO)
<b>Others</b>	
USB	1 × USB 3.0 (Type-C) for Power Supply, Network Supply and Debug
Reset Button	1 × RESET
LED Indicators	1 × SYSTEM, 1 × SIM1, 1 × SIM2
Built-in	Watchdog, Timer
<b>Software</b>	
Network Protocols	IPv4/IPv6, TCP, UDP, DHCP, HTTP, HTTPS, ARP, NTP, DNS, ARP, SSH, VLAN, DDNS, SNMP, MQTT, MQTTS, etc.
VPN	IPsec, OpenVPN, L2TP, PPTP
Security	Access Control, DMZ, Port Forwarding, SYN-Flood Protection, Filtering (IP & MAC & Domain), IP Passthrough
Management	Web, SMS, DeviceHub, MilesightVPN
Multilevel Authority	Multiple Levels of User Authority
Reliability	WAN Failover, Dual SIM Backup
Serial Port	Transparent (TCP Client/Server, UDP), Modbus Client (Master), Modbus Gateway (Modbus RTU to Modbus TCP)
App	Node-RED
<b>Power Supply and Consumption</b>	
Power Connector	2-pin 3.5 mm Terminal Block
Power Input	1. 9-48 VDC, with Surge-Protection and Reverse Polarity Protection 2. 5V, 3A by Type-C Port
Power Consumption	Without Wi-Fi: Typical 2.8 W, Max 5.5 W (In Non-PoE mode) With Wi-Fi: Typical 7 W, Max 13.7 W
<b>Physical Characteristics</b>	
Ingress Protection	IP30
Housing	Metal
Dimension	135 x 115 x 36.4 mm (5.31 x 4.53 x 1.43 in)
Installation	Desktop, Wall or DIN Rail Mounting
<b>Environmental</b>	
Operating Temperature	-40°C to +70°C (-40°F to +158°F)
Storage	-40°C to +85°C (-40°F to +185°F)

## Temperature

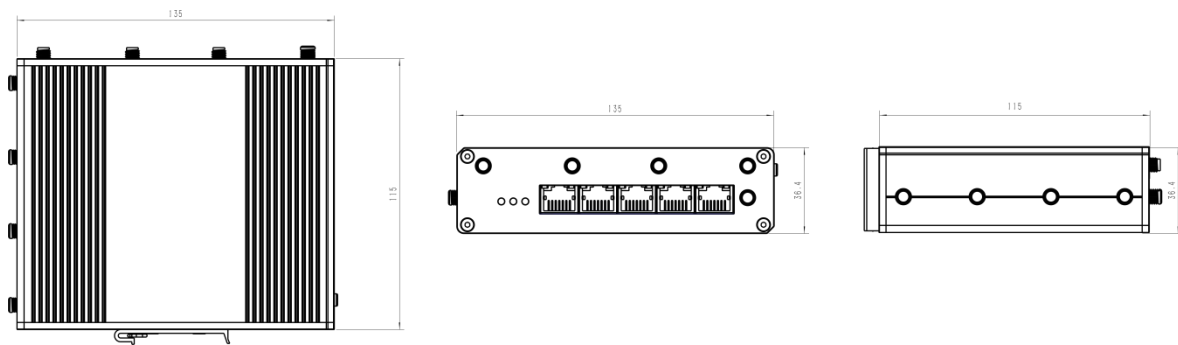
Ethernet Isolation 1.5 kV RMS

Relative Humidity 0% to 95% (Non-condensing) at 25°C/77°F

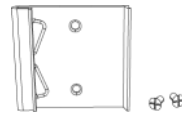
**Approvals**

Regulatory CE, RCM

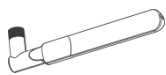
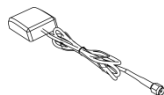
Environmental RoHS

**◆ Dimensions(mm)****◆ Accessories**

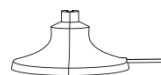
1 × Power Adapter

1 × 8-Pin Pluggable  
Terminal

1 × DIN Rail Kit

4 × Stubby Cellular  
Antennas4 × Stubby Wi-Fi  
Antennas

1 × GPS Antenna

Antenna Magnetic  
Mount  
**(Optional)**

**\*Note:** Contact us if you need any other special accessories or customized accessories.

