

## 2J4715B-868-TH19

868 MHz ISM Screw Mount

### Key Features

**868 MHz ISM**  
- 863-870 MHz  
Low Profile  
Screw Mount  
Ground Plane Independent  
Customizable Cable and Connector  
Dimensions  $\varnothing 52 \times 17.5$  mm  
Certificates: IP69K



**Note:** 19mm Thread is Default Option. See Drawing for other Thread Options available.



## 1. Antenna and electrical specifications

Parameters	868 MHz ISM Antenna
<b>Standards</b>	ZigBee, ISM, SIGFOX, LoRa
<b>Band (MHz)</b>	868 MHz
<b>Frequency (MHz)</b>	863-870
<b>Return Loss (dB)</b>	~-21.3
<b>VSWR</b>	~1.2:1
<b>Efficiency (%)</b>	~33.4
<b>Peak Gain (dBi)</b>	~2.6
<b>Average Gain (dB)</b>	~-4.7
<b>Impedance (Ohm)</b>	50
<b>Polarisation</b>	Linear
<b>Radiation Pattern</b>	Omni-Directional
<b>Max. Input Power (W)</b>	25
<b>Connector Type</b>	SMA-Male Standard (Other Connectors Available)
<b>Cable Length</b>	300 cm Standard (Any Cable Length Available)
<b>Cable Type</b>	RG174 Standard (Other Cables Available)

### Antenna Measurement Conditions:

Mounted on 30 x 30 x 0.25 cm Metal Plate

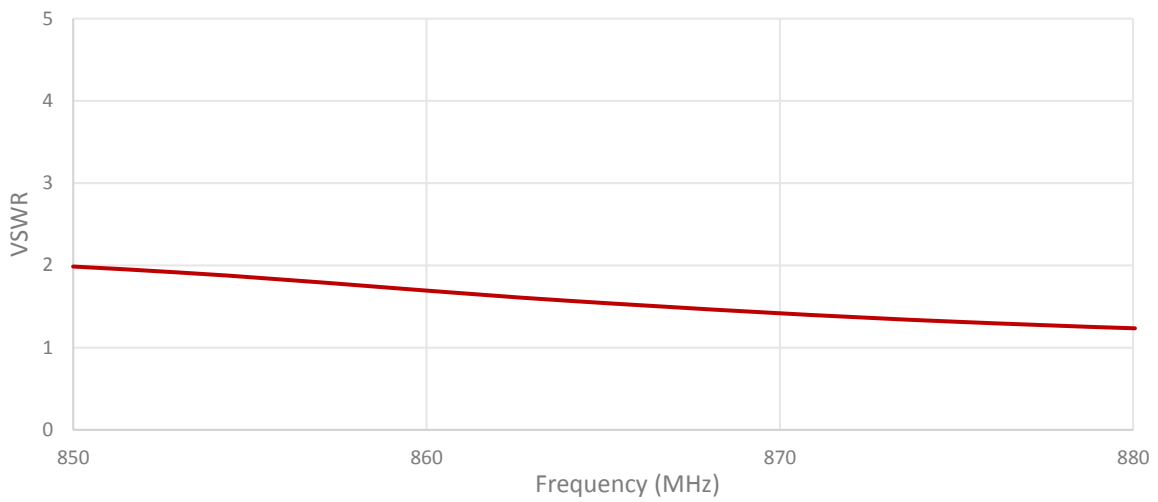
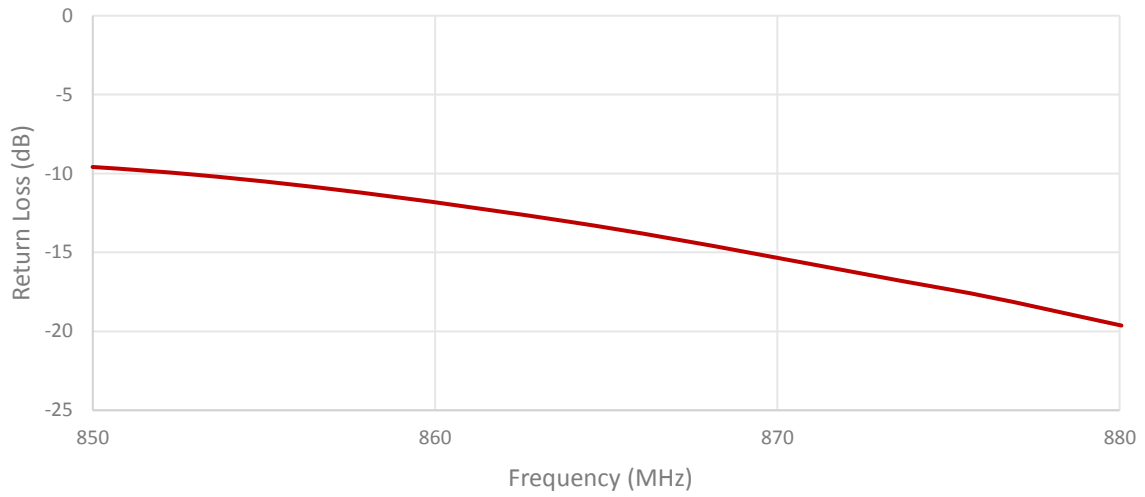
200 cm of RG174 Cable

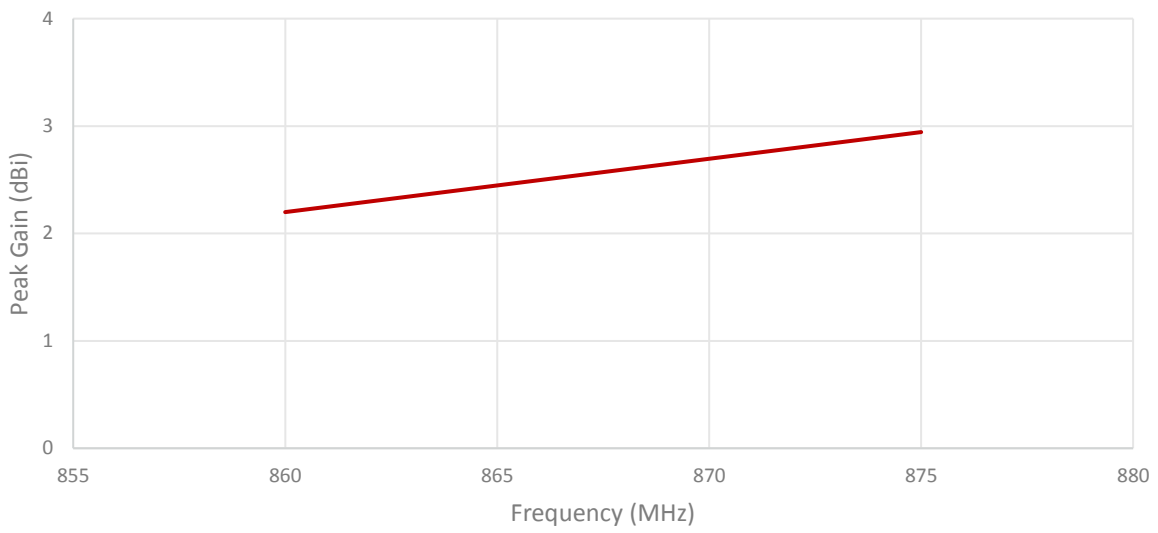
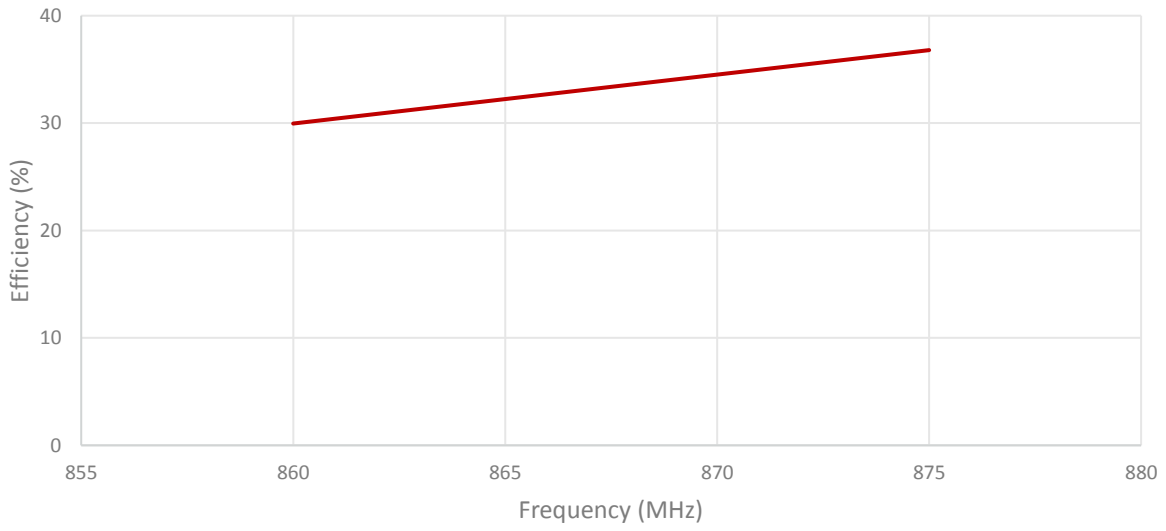
Measured in Certified CTIA 3D Anechoic Chamber

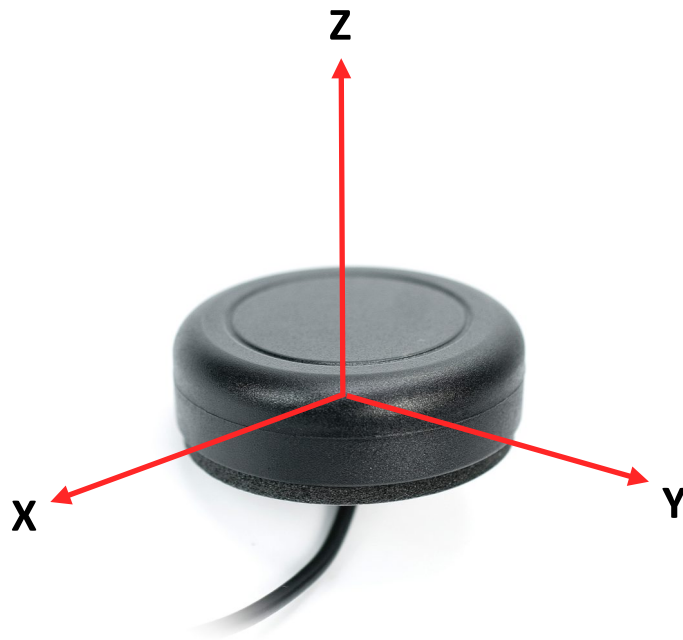
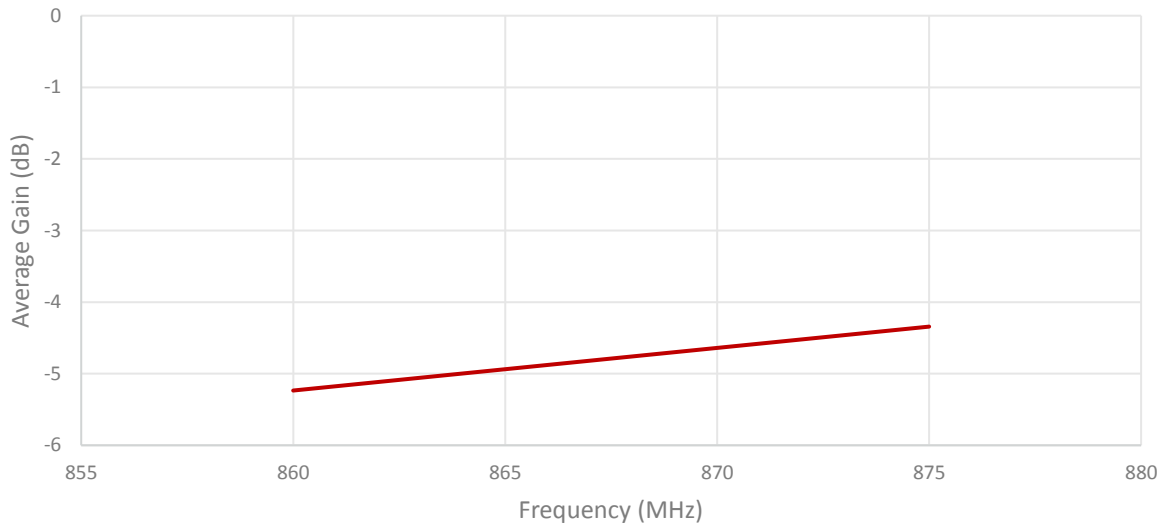
## 2. Mechanical and environmental specifications

Specifications	2J4715B-868-TH19
<b>Mounting Type</b>	Screw Mount
<b>Dimensions (mm)</b>	Ø 52 × 17.5
<b>Max. Tighten Torque (Nm)</b>	4 Nm
<b>Random Type</b>	ASA
<b>Random Color</b>	Black
<b>Antenna Base</b>	ASA
<b>Operating Temperature (C)</b>	-40 to +85
<b>Storage Temperature (C)</b>	-40 to +85
<b>Certificates</b>	IP69K
<b>Substance Compliance</b>	RoHS

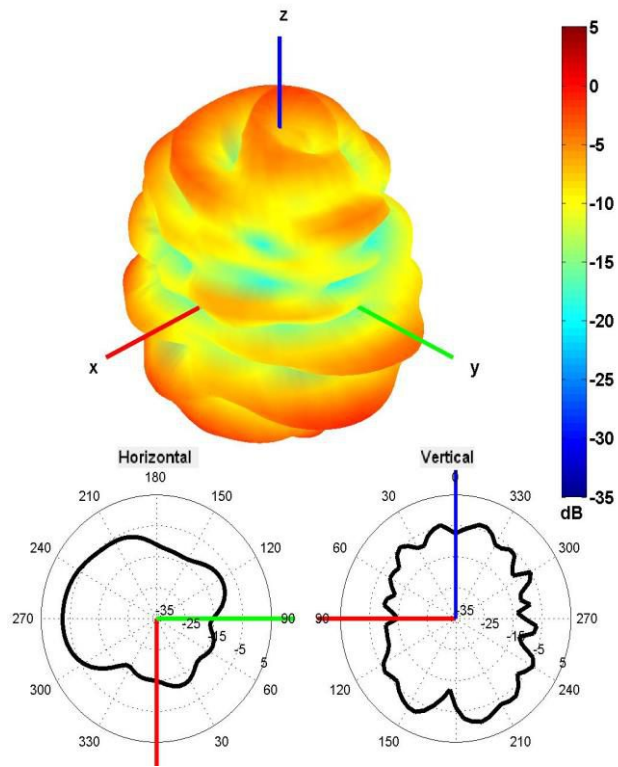
### 3. Antenna parameters







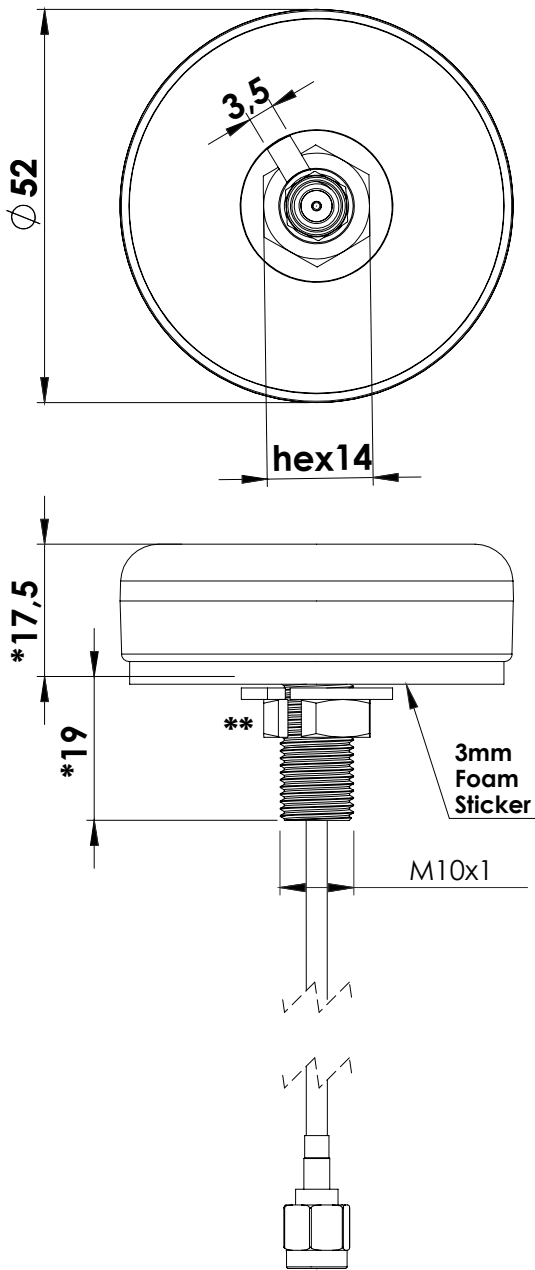
Radiation pattern reference



868 MHz Radiation pattern

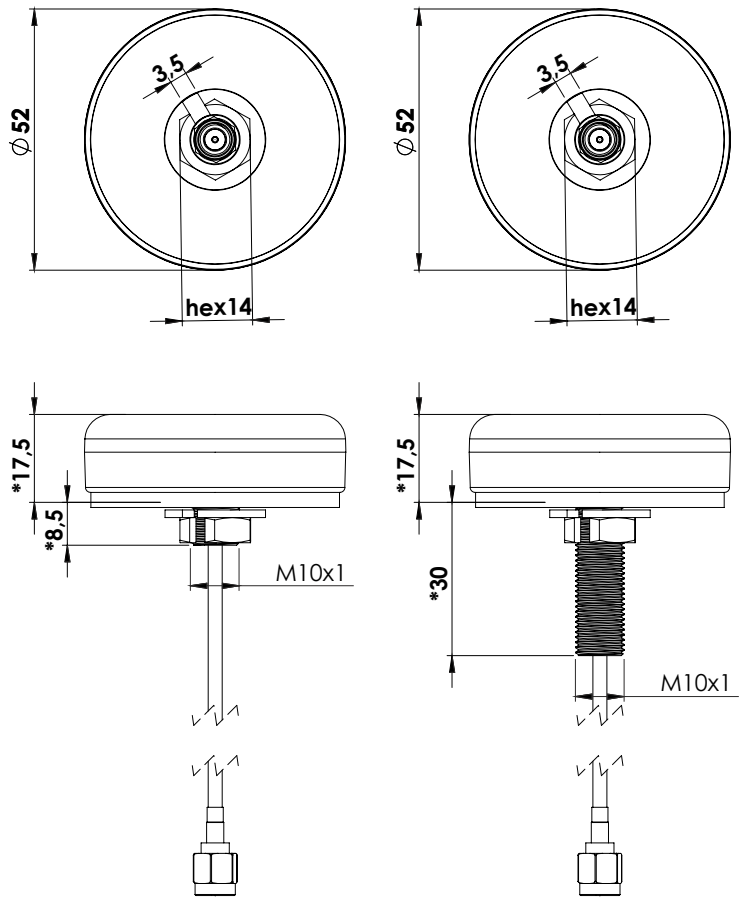
## 4. Antenna drawings

### Default Thread Option



**2J4715-868-TH19**  
19 mm Thread  
Default Option

### Other Thread Options available



**2J4715-868-TH8,5**  
8,5 mm Thread

**2J4715-868-TH30**  
30 mm Thread

**\*Dimensions after mounting**  
**\*\*Max. Torque= 4 Nm**

## 5. Antenna Images

